

# CORNER PULL-OUTS VS COR® Flex



PLANERO LAVA

Photo: Vauth-Sagel

## SPECIFICATION

**Cabinet width(s):** 900mm and 1000mm

**Minimum installation depth:** 480mm

**Minimum installation height:** 575mm  
(cabinet requires an internal post)

**Soft-Close:** Integrated soft and self-closing

**No. of shelves:** 4

**Height adjustable shelves:** No

**Load capacity:** 32kg (8kg per shelf)

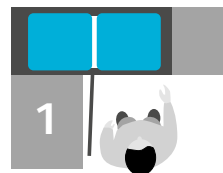
**Design variants:** Saphir Platinum, Premea Platinum/White, Premea Lava, and Planero Lava

## BENEFITS

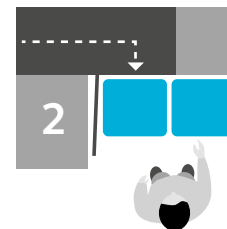
- ✓ **Space Saving** – unique design that allows 100% optimisation of corner unit space
- ✓ **Opens independently to door** – offering easier access to all 4 shelves
- ✓ **Full access** – all 4 shelves extend fully from the cabinet in one swift move
- ✓ **Lock system** – prevents accidental closing of shelves and no clashing with adjacent cabinet
- ✓ **Unhanded design** – no need to worry about left and right codes
- ✓ **Installation template** – simply line up on the cabinet and all drill positions are shown
- ✓ **Ease of fitting** – only a few screws required to secure the frame and the COR® Flex is ready
- ✓ **Retrofit ready** – can be installed in existing cabinetry without removing the worktop

## FITTING INSTRUCTIONS

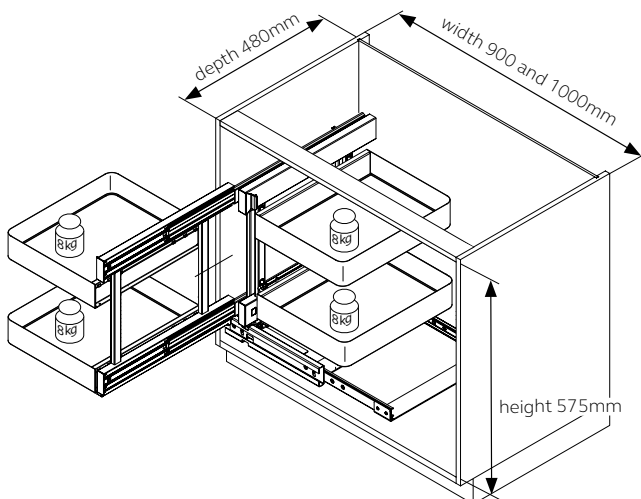
Fitting instructions are included with each pack and can also be downloaded from the Storage & Bins category listed on: [uform.co.uk](http://uform.co.uk)



1 Best use of space



2 Optimal access, all shelves come out of the cabinet

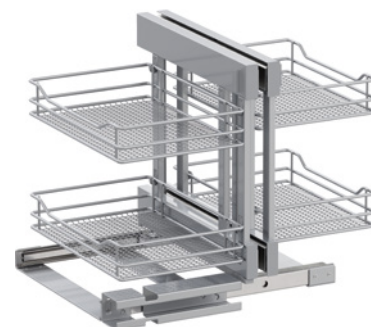


## CABINET DIMENSIONS

DOOR SIZE	CABINET WIDTH	MIN. INTERNAL DEPTH	MIN. INTERNAL HEIGHT	MIN. DOOR OPENING
450mm	900mm	480mm	575mm	381mm
500mm	1000mm	480mm	575mm	444mm

### VS COR® Flex SAPHIR PLATINUM

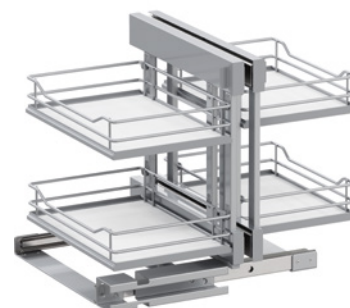
CODE	DESCRIPTION	HAND	DOOR SIZE	CABINET WIDTH
INSS-450CFPOPLATSAPH	450mm VS COR® Flex	Unhanded	450mm	900mm
INSS-500CFPOPLATSAPH	500mm VS COR® Flex	Unhanded	500mm	1000mm



**SAPHIR PLATINUM**  
Powder coated Platinum rail with Platinum mesh wire

### VS COR® Flex PREMEA PLATINUM/WHITE

CODE	DESCRIPTION	HAND	DOOR SIZE	CABINET WIDTH
INSS-450CFPOWHPREM	450mm VS COR® Flex	Unhanded	450mm	900mm
INSS-500CFPOWHPREM	500mm VS COR® Flex	Unhanded	500mm	1000mm



**PREMEA PLATINUM/WHITE**  
Powder coated Platinum rail with White base

### VS COR® Flex PREMEA LAVA

CODE	DESCRIPTION	HAND	DOOR SIZE	CABINET WIDTH
INSS-450CFPOLAPREM	450mm VS COR® Flex	Unhanded	450mm	900mm
INSS-500CFPOLAPREM	500mm VS COR® Flex	Unhanded	500mm	1000mm



**PREMEA LAVA**  
Powder coated Lava rail with Lava base

### VS COR® Flex PLANERO LAVA

CODE	DESCRIPTION	HAND	DOOR SIZE	CABINET WIDTH
INSS-450CFPOLAPLAN	450mm VS COR® Flex	Unhanded	450mm	900mm
INSS-500CFPOLAPLAN	500mm VS COR® Flex	Unhanded	500mm	1000mm



**PLANERO LAVA**  
Lava powder coated steel sides with Lava base

#### ALL KITS INCLUDE:

##### Box 1

1 no. frame set (hanging frames and base mounting track, front and back frames)  
Cover caps  
Screwbag

##### Box 2

2 no. storage shelves (rear)  
2 no. storage shelves (front)  
Shelf securing clips (2 per shelf)