

CORNER PULL-OUTS VS CORNERSTONE® Maxx



PLANERO LAVA

Photo: Vauth-Sagel

SPECIFICATION

Cabinet width(s): 400mm, 450mm, 500mm and 600mm

Minimum Installation depth: 490mm

Minimum installation height: 650 - 850mm (2 shelves), 1350 - 1600mm (4 shelves)

Soft-Close: Integrated soft and self-closing as standard

Power assisted opening: for effortless smooth operation

No. of shelves: 2

Height adjustable shelves: Yes

Load capacity: 50kg (25kg per shelf)

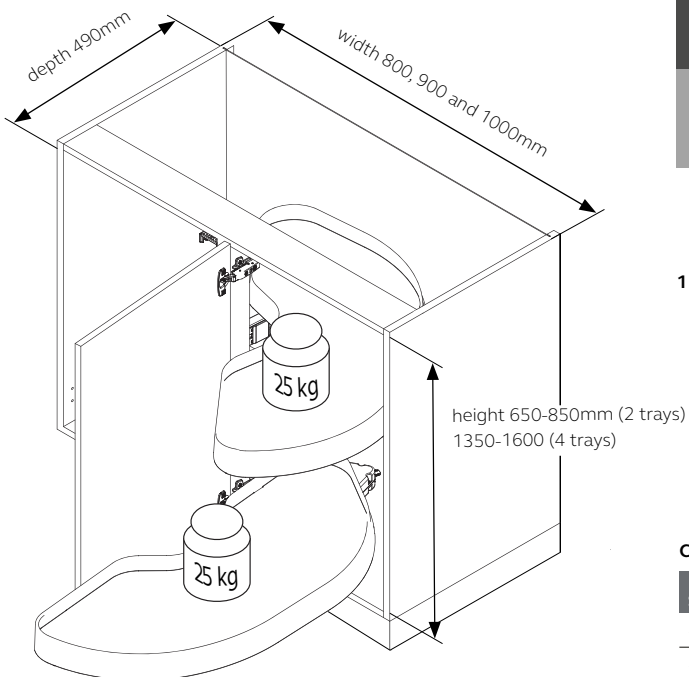
Design variants: Premea Platinum/White, Platinum Lava and Planero Lava

BENEFITS

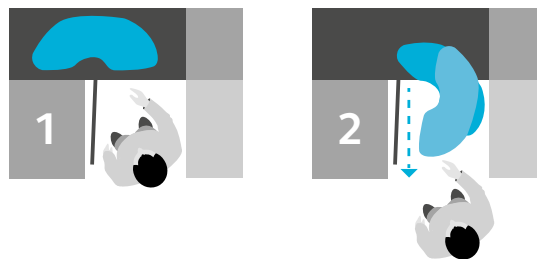
- ✓ **Space Saving** – easy access to troublesome corners, perfect for heavy pots and pans
- ✓ **Opens independently to door** – offering easier access to both trays
- ✓ **L-Shape opening** – Extends forwards to maintain access to adjacent cabinets
- ✓ **Full access** – each height adjustable shelf pulls out independently for ease of access
- ✓ **Power assisted opening** – start opening the shelf and it will continue to open effortlessly
- ✓ **Integrated soft and self-closing** – smooth and silent motion with no rattling of items
- ✓ **Tool-free installation** – toolless installation of shelves onto support arms
- ✓ **Installation template** – simply line up on the cabinet and all drill positions are shown
- ✓ **Ease of fitting** – 3 simple installation steps for fast and easy fitting
- ✓ **Retrofit ready** – can be installed in existing cabinetry without removing the worktop

FITTING INSTRUCTIONS

Fitting instructions are included with each pack and can also be downloaded from the Storage & Bins category listed on: uform.co.uk



Handing: Right Hand (RH) model shown above



1 Best use of space

2 The shelves can be moved in and out independently and do not obstruct the adjacent cabinet

CABINET DIMENSIONS

DOOR SIZE	MIN. CAB WIDTH	MIN. DOOR OPENING	MIN. CAB DEPTH	MIN. CAB HEIGHT
400mm	800mm	361mm	490mm	610-770mm
450mm	900mm	411mm	490mm	610-770mm
500mm	1000mm	461mm	490mm	610-770mm
600mm	1000mm	561mm	490mm	610-770mm

VS CORNERSTONE® Maxx PREMEA PLATINUM/WHITE

CODE	HAND	DOOR SIZE	CABINET WIDTH
INSS-400CMPOLHWHPREM	Left Hand	400mm	min. 800mm
INSS-400CMPORHWHPREM	Right Hand	400mm	min. 800mm
INSS-450CMPOLHWHPREM	Left Hand	450mm	min. 900mm
INSS-450CMPORHWHPREM	Right Hand	450mm	min. 900mm
INSS-500CMPOLHWHPREM	Left Hand	500mm	min. 1000mm
INSS-500CMPORHWHPREM	Right Hand	500mm	min. 1000mm
INSS-600CMPOLHWHPREM	Left Hand	600mm	min. 1000mm
INSS-600CMPORHWHPREM	Right Hand	600mm	min. 1000mm



PREMEA PLATINUM/WHITE

VS CORNERSTONE® Maxx PREMEA LAVA

CODE	HAND	DOOR SIZE	CABINET WIDTH
INSS-400CMPOLHLAPREM	Left Hand	400mm	min. 800mm
INSS-400CMPORHLAPREM	Right Hand	400mm	min. 800mm
INSS-450CMPOLHLAPREM	Left Hand	450mm	min. 900mm
INSS-450CMPORHLAPREM	Right Hand	450mm	min. 900mm
INSS-500CMPOLHLAPREM	Left Hand	500mm	min. 1000mm
INSS-500CMPORHLAPREM	Right Hand	500mm	min. 1000mm
INSS-600CMPOLHLAPREM	Left Hand	600mm	min. 1000mm
INSS-600CMPORHLAPREM	Right Hand	600mm	min. 1000mm



PREMEA LAVA

VS CORNERSTONE® Maxx PLANERO LAVA

CODE	HAND	DOOR SIZE	CABINET WIDTH
INSS-400CMPOLHLAPLAN	Left Hand	400mm	min. 800mm
INSS-400CMPORHLAPLAN	Right Hand	400mm	min. 800mm
INSS-450CMPOLHLAPLAN	Left Hand	450mm	min. 900mm
INSS-450CMPORHLAPLAN	Right Hand	450mm	min. 900mm
INSS-500CMPOLHLAPLAN	Left Hand	500mm	min. 1000mm
INSS-500CMPORHLAPLAN	Right Hand	500mm	min. 1000mm
INSS-600CMPOLHLAPLAN	Left Hand	600mm	min. 1000mm
INSS-600CMPORHLAPLAN	Right Hand	600mm	min. 1000mm



PLANERO LAVA

ALL KITS INCLUDE:

Box 1

2 no. swing mechanisms (unhanded)
1 no. fitting pole
1 no. top mounting bracket
Cover caps
Screwbag

Box 2

2 no. storage shelves (handed)

VS CORNERSTONE® Maxx EXTENSION POLE

CODE	DESCRIPTION
INSS-CMEXTPOLE	Extension pole, 1350-1600mm

Extension pole to accommodate a studio height corner solution
(order 2 VS CORNERSTONE® Maxx base products and extension pole separately)

