

CORNER PULL-OUTS VS CORNERSTONE® Swing



BASIC LAVA

Photo: Vauth-Sagel

SPECIFICATION

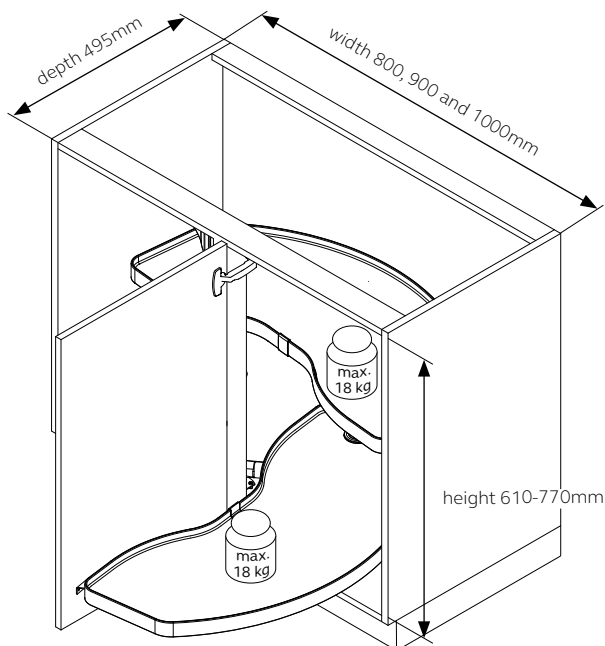
- Cabinet width(s):** 400mm, 450mm, 500mm and 600mm
- Minimum Installation depth:** 495mm
- Minimum installation height:** 610 - 770mm
- Soft-Close:** Soft and self-closing mechanism available to order separately
- No. of shelves:** 2
- Height adjustable shelves:** Yes
- Load capacity:** 36kg (18kg per shelf)
- Design variants:** BASIC silver/white and BASIC Lava

BENEFITS

- ✓ **Space Saving** – easy access to troublesome corners, perfect for heavy pots and pans
- ✓ **Ease of use** – Lower shelf opens with the door, both shelves close as the door shuts
- ✓ **Full access** – each shelf pulls out independently for ease of access
- ✓ **L-Shape opening** – Extends forwards to maintain access to adjacent cabinets
- ✓ **Soft and self-closing (optional)** – smooth and silent motion with no rattling of items
- ✓ **Unhanded design** – no need to worry about left and right codes
- ✓ **Installation template** – simply line up on the cabinet and all drill positions are shown
- ✓ **Ease of fitting** – only the support pole requires fitting
- ✓ **Retrofit ready** – can be installed in existing cabinetry without removing the worktop

FITTING INSTRUCTIONS

Fitting instructions are included with each pack and can also be downloaded from the Storage & Bins category listed on: uform.co.uk



Handing: Right Hand (RH) model shown above



1 Best use of space

2 L-movement of the shelves allows free access to neighbouring cabinets

CABINET DIMENSIONS

DOOR SIZE	MIN. CAB WIDTH	INSTALLATION DEPTH	MIN. INTERNAL CAB HEIGHT
400mm	764mm	495mm	610-770mm
450mm	800mm	495mm	610-770mm
500mm	910mm	495mm	610-770mm
600mm	960mm	495mm	610-770mm

VS CORNERSTONE® Swing BASIC SILVER/WHITE

CODE	DESCRIPTION	HAND	DOOR SIZE	CABINET WIDTH
INSS-400CSPOUNWHBASI	400mm VS CORNERSTONE® Swing	Unhanded	400mm	800mm
INSS-450CSPOUNWHBASI	450mm VS CORNERSTONE® Swing	Unhanded	450mm	900mm
INSS-500CSPOUNWHBASI	500mm VS CORNERSTONE® Swing	Unhanded	500mm	1000mm
INSS-600CSPOUNWHBASI	600mm VS CORNERSTONE® Swing	Unhanded	600mm	1000mm



BASIC SILVER/WHITE
Silver plastic sides with White base

VS CORNERSTONE® Swing BASIC LAVA

CODE	DESCRIPTION	HAND	DOOR SIZE	CABINET WIDTH
INSS-400CSPOUNLABASI	400mm VS CORNERSTONE® Swing	Unhanded	400mm	800mm
INSS-450CSPOUNLABASI	450mm VS CORNERSTONE® Swing	Unhanded	450mm	900mm
INSS-500CSPOUNLABASI	500mm VS CORNERSTONE® Swing	Unhanded	500mm	1000mm
INSS-600CSPOUNLABASI	600mm VS CORNERSTONE® Swing	Unhanded	600mm	1000mm



BASIC LAVA
Lava plastic sides with Lava base

ALL KITS INCLUDE:

Box 1

- 2 no. swing mechanisms (unhanded)
- 1 no. fitting pole and screwbag
- 1 no. door attachment arm
- 1 no. self-close wheel
- 1 no. top mounting bracket

Box 2

- 2 no. storage shelves (unhanded)

VS CORNERSTONE® Swing SOFT-CLOSE MECHANISM

CODE	DESCRIPTION
INSS-SOFTCLOSECS	Soft close damper

Add the benefit of soft-close to your VS Cornerstone® Swing pull-out.
Can be retro fitted.

