

BASE PULL-OUTS VS SUB[®] Slim



PLANERO LAVA

Photo: Vauth-Sagel

SPECIFICATION

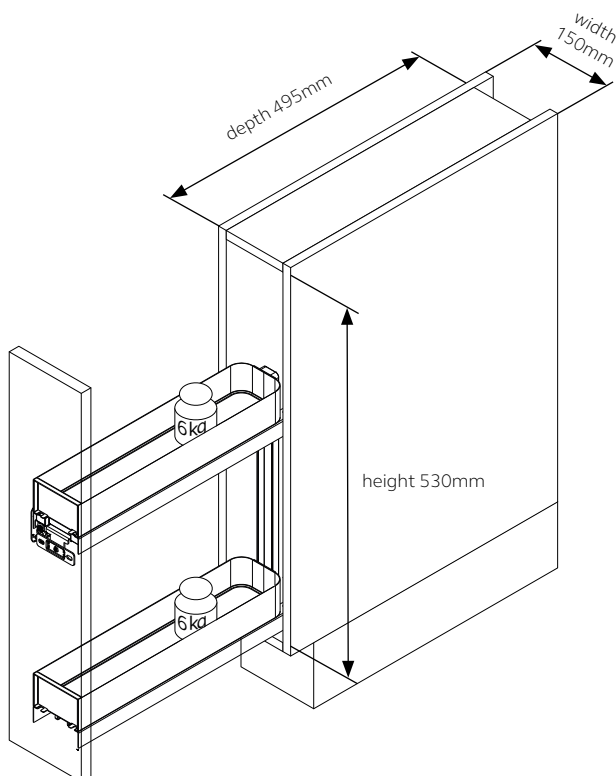
Cabinet width(s): 150mm
Minimum installation depth: 495mm
Minimum installation height: 530mm
Runners: Grass Nova Pro, full extension
Soft-Close: Integrated soft and self-closing
No. of shelves: 2
Height adjustable shelves: No
Load capacity: 12kg (6kg per shelf)
Design variants: Premea Platinum, Premea Lava and Planero Lava

BENEFITS

- ✓ **Space saving** - flexible storage solution making optimal use of narrow spaces
- ✓ **Front fixed** - open the door and the items come to you
- ✓ **Ease of access** - full visibility and access to items from both sides
- ✓ **Total-free connection** - toolless assembly of the pull-outs onto the runners
- ✓ **3D front adjustment** - enables easy alignment of the door in every direction
- ✓ **Retrofit ready** - can be installed in existing cabinetry without removing the worktop

FITTING INSTRUCTIONS

Fitting instructions are included with each pack and can also be downloaded from the Storage & Bins category listed on: uform.co.uk



CABINET DIMENSIONS

CABINET WIDTH	MIN. CAB DEPTH	MIN. CAB HEIGHT
150mm	495mm	530mm

VS SUB® Slim PREMEA PLATINUM

CODE	DESCRIPTION	CABINET WIDTH
INSS-150SSPOPLATPREM	VS SUB® Slim 150mm base pull-out	150mm



PREMEA PLATINUM
Platinum powder coated rails
and Platinum powder coated metal base

VS SUB® Slim PREMEA LAVA

CODE	DESCRIPTION	CABINET WIDTH
INSS-150SSPOLAVAPREM	VS SUB® Slim 150mm base pull-out	150mm



PREMEA LAVA
Lava powder coated rails
and Lava powder coated metal base

VS SUB® Slim PLANERO LAVA

CODE	DESCRIPTION	CABINET WIDTH
INSS-150SSPOLAVAPLAN	VS SUB® Slim 150mm base pull-out	150mm



PLANERO LAVA
Lava powder coated steel tray
and Lava MFC base

ALL KITS INCLUDE:

Box 1

- 1 no. frame with 2 fixed shelves and door hanging plates
- 2 no. full extension, soft-close runners
- Screwbag